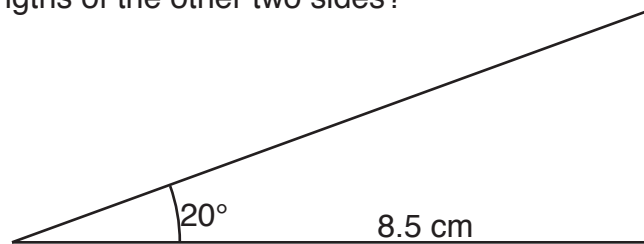
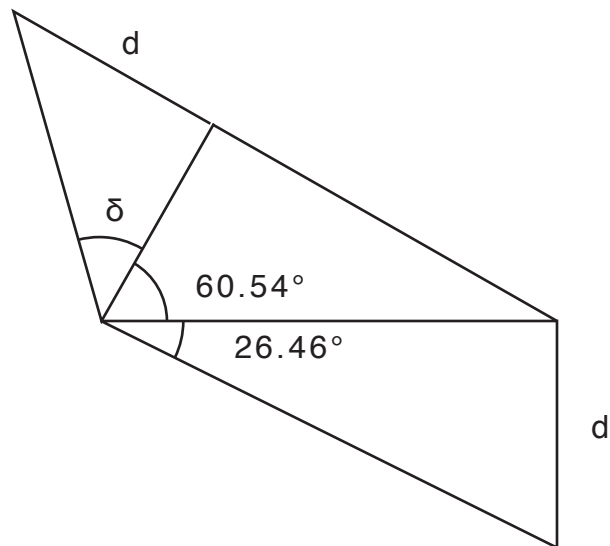


Simple Trig Problems

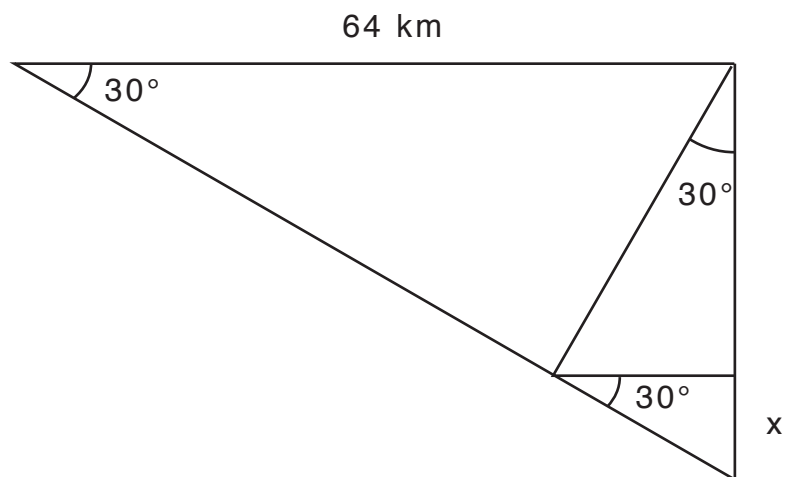
1. What are the lengths of the other two sides?



2. What is δ ?



3. What is x ?



Determine the lengths of all sides of all triangles.

